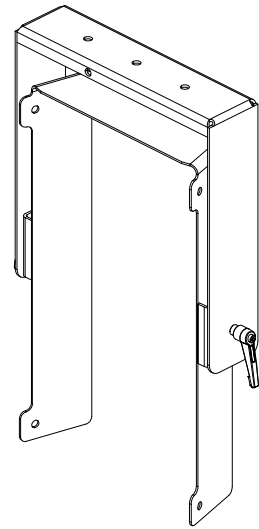
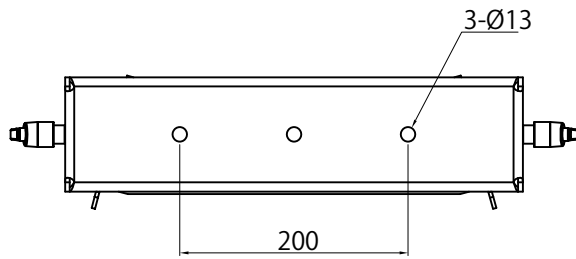
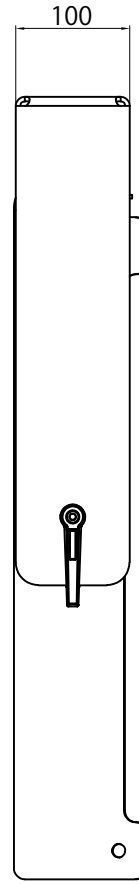
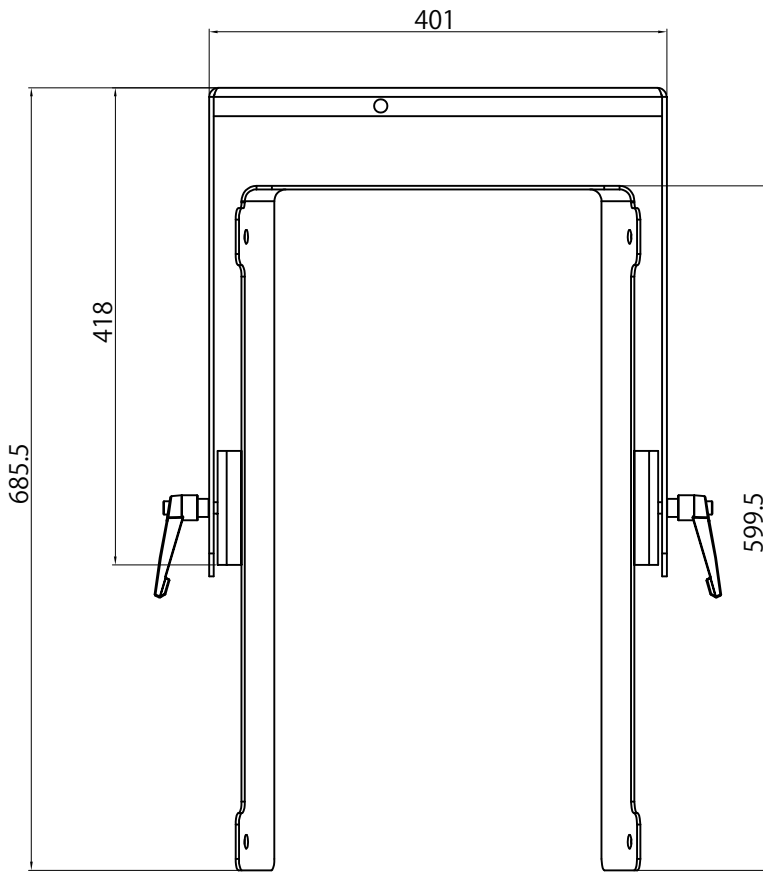



SE03-RD-0002



					Ver.a				23.11.23			
Tolerance					DIMENSION : IN MILLIMETERS ROUNDED TO 0.005 mm							
	X.0	XX.0	XXX.0	0.X	Model		h-12_ub		NYP 2023.11.23		CH 2023.11.23	
	±0.2	±0.5	±1.0	±0.1	DESCRIPTION		Cradle-style Yoke bracket for h-12		GHT 2023.11.23		JH 2023.11.23	
					VUE AUDIOTECHNIK LLC.							
									ZY 2023.11.23			