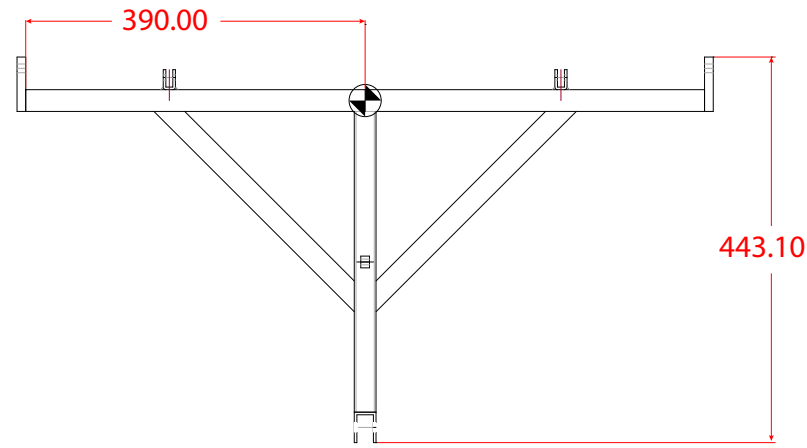
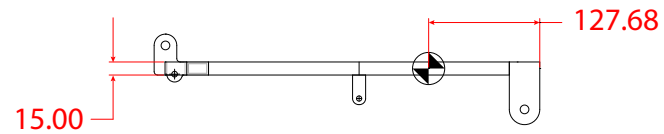


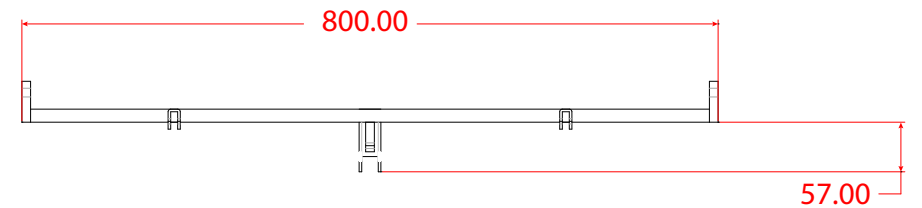
REV	CHANGE NUMBER	DATE
A		



TOP



SIDE



FRONT

UNLESS OTHERWISE SPECIFIED
ALL DIMENSIONS ARE IN MILLIMETER
FOR REF ONLY

本体重量: 3.8 kg
耐荷重/安全率(7:1)kg, 210.0



TITLE:

al-8-ufb

DRAWING NUMBER:

REVISION:

A