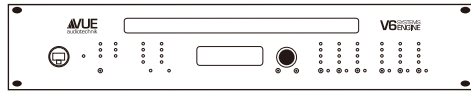


VUE audiotechnik

al-8 システムと V6-d、V4-d の接続



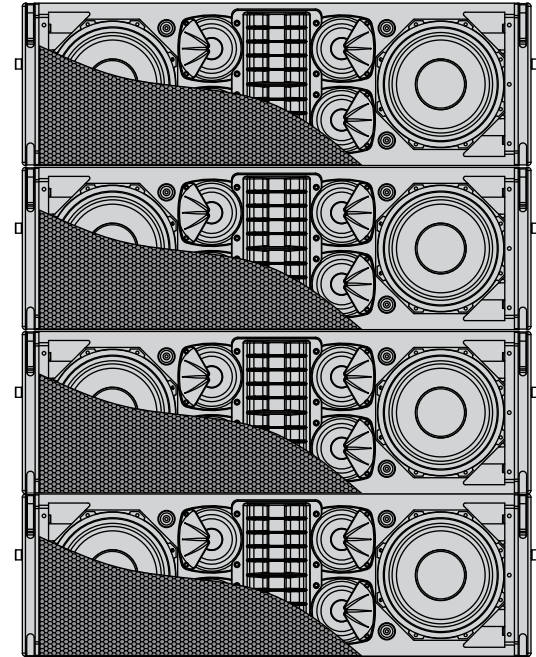
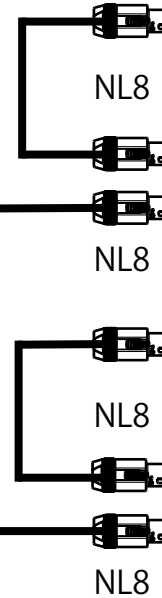
V6-d



NL8

Ach output pin $\pm(1)\pm(2)\pm(3)\pm(4)$

- $\pm(1)$ - al-8-1,2 Lows
- $\pm(2)$ - al-8-1,2 Mids
- $\pm(3)$ - al-8-1,2 highs
- $\pm(4)$ - al-8-1,2 highs

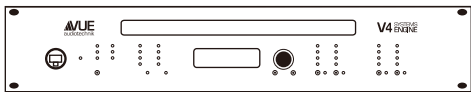


al-8-4

al-8-3

al-8-2

al-8-1



V4-d



NL4

Bch output pin $\pm(1)$

$\pm(1)$ 逆サイドの al-8SB へ

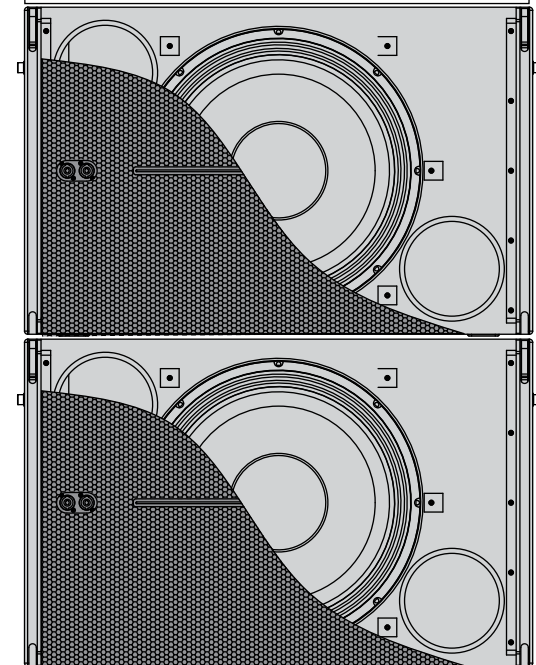
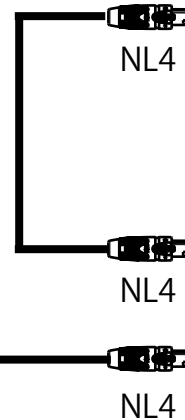
逆サイドの al-8 SB へ



Ach output pin $\pm(1)$

$\pm(1)$ al-8SB-1,2

NL4



al-8SB-2

al-8SB-1