

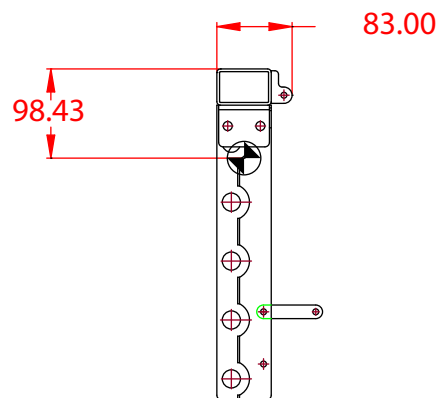
1

2

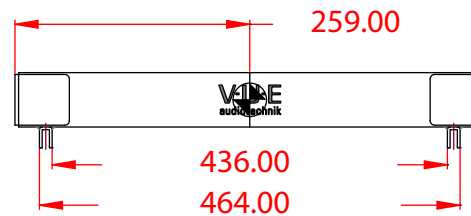
3

4

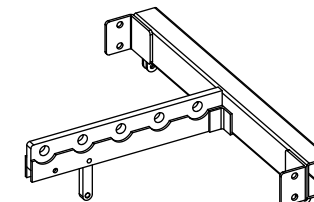
REV	CHANGE NUMBER	DATE
A		



SIDE



FRONT



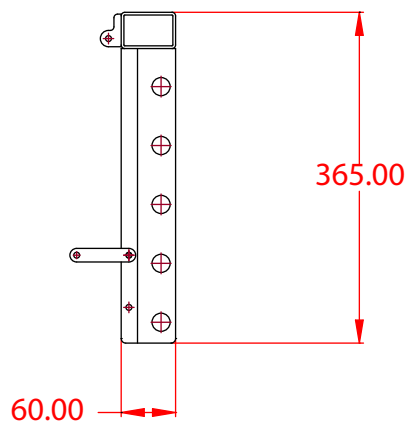
al-4fb

C

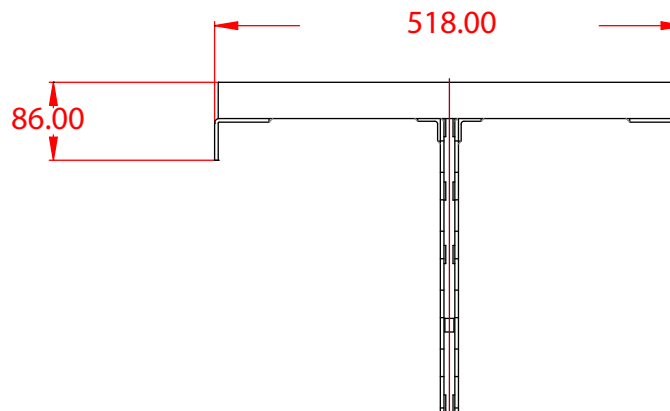
C

B

B



SIDE



TOP

A

A

本体重量: 5,5 kg 耐荷重/安全率(7:1)kg, 490.0	UNLESS OTHERWISE SPECIFIED ALL DIMENSIONS ARE IN MILLIMETER FOR REF ONLY			
	TITLE: <b>al-4-fb</b> <b>[MECHANICAL SPECIFICATION]</b>			
		A SHEET 1 OF 1	SCALE: 1 TO 14	
DRAWING NUMBER:			REVISION: <b>A</b>	

1

2

3

4

VELLUM