

LOWS:
Tight

MIDS:
Aggressive

HIGHS:
Bright

OVERDRIVE:
Edgy

Sound Features:

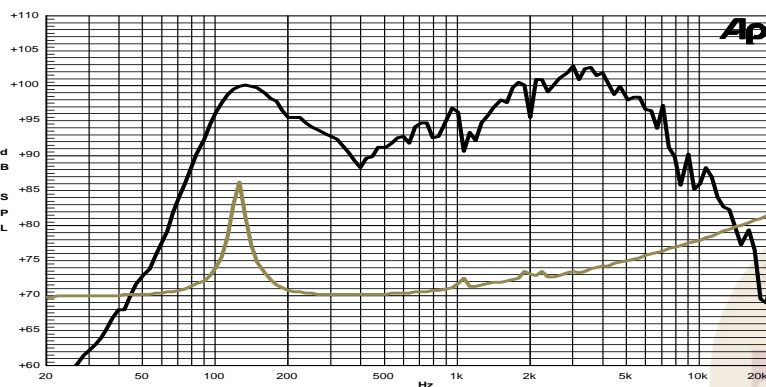
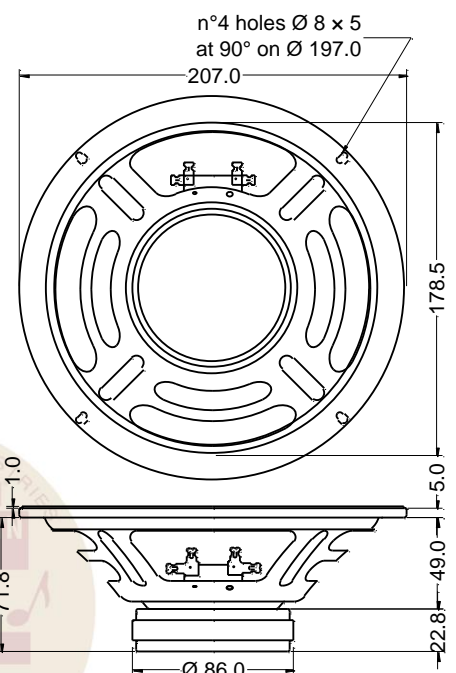
Guitarist Description:

Crystal clear tone with brightly shining highs. It responds to overdrive distortion with a bright fuzz lead voice.

Specifications	
Nominal Diameter	207 mm (8")
Nominal Impedance	8 Ω
Rated Power AES ⁽¹⁾	25 W
Continuous Program Power ⁽²⁾	50 W
Sensitivity @ 1W/1m	93.0 dB
Voice Coil Diameter	25 mm
Voice Coil Winding Depth	4 mm
Magnetic Gap Depth	6 mm
Flux Density	1.00 T
Magnet Weight	270 g
Net Weight	1.0 kg

Thiele & Small Parameters ⁽³⁾			
Re	6.73 Ω	Fs	126.0 Hz
Qms	10.29	Mms	9.0 g
Qts	1.80	Bxl	4.70 Tm
Cms	176 μm/N	Sd	213.8 cm ²
Vas	11.4 l	Le (1kHz)	0.43 mH

Constructive Characteristics	
Magnet	Ferrite
Basket Material	Pressed Sheet Steel
Voice Coil Winding Material	Copper
Voice Coil Former Material	Kapton
Cone Material	Paper
Surround Treatment	Yes
Surround Material	Paper - Integrated
Dust Dome Material	Solid Paper



Note:

- 1: Rated Power measured with 2 hours test with pink noise signal, 6dB crest factor, loudspeaker mounted on enclosure
- 2: Power on Continuous Program is defined as 3 dB greater than the Rated Power
- 3: Thiele & Small parameters measured with laser system without preconditioning test
- 4: Drawing dimensions: mm
- 5: The notch around 400Hz on the frequency response is typical of the measurement on IEC baffle

