

LOWS:
Tight

MIDS:
Aggressive

HIGHS:
Subtle

OVERDRIVE:
Edgy/Crunchy

Sound Features:

Guitarist Description:

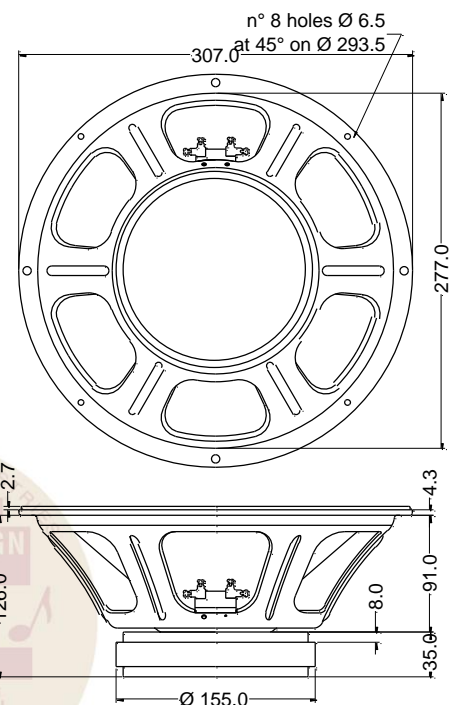
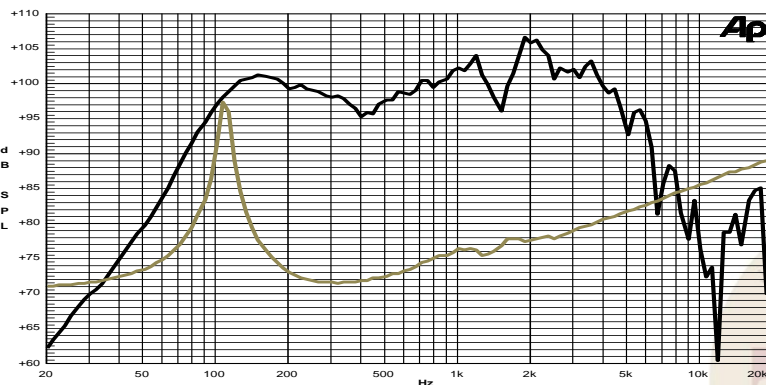
A real workhorse, heavy on the mids with a solid, straightforward tone. Presented with overdrive distortions, it powers through with lows that are bold and heavy.



Specifications	
Nominal Diameter	307 mm (12")
Nominal Impedance	8 Ω
Rated Power AES ⁽¹⁾	100 W
Continuous Program Power ⁽²⁾	200 W
Sensitivity @ 1W/1m	99.0 dB
Voice Coil Diameter	50 mm
Voice Coil Winding Depth	10 mm
Magnetic Gap Depth	8 mm
Flux Density	1.10 T
Magnet Weight	1450 g
Net Weight	4.3 kg

Thiele & Small Parameters ⁽³⁾			
Re	6.53 Ω	Fs	106.2 Hz
Qms	12.57	Mms	31.9 g
Qts	0.67	Bxl	14.00 Tm
Cms	71 μm/N	Sd	490.9 cm ²
Vas	24.1 l	Le (1kHz)	0.84 mH

Constructive Characteristics	
Magnet	Ferrite
Basket Material	Pressed Sheet Steel
Voice Coil Winding Material	Copper
Voice Coil Former Material	Kapton
Cone Material	Paper
Surround Treatment	Yes
Surround Material	Paper - Integrated
Dust Dome Material	Non Treated Cloth



- Note:
- 1: Rated Power measured with 2 hours test with pink noise signal, 6dB crest factor, loudspeaker mounted on enclosure
 - 2: Power on Continuous Program is defined as 3 dB greater than the Rated Power
 - 3: Thiele & Small parameters measured with laser system without preconditioning test
 - 4: Drawing dimensions: mm
 - 5: The notch around 400Hz on the frequency response is typical of the measurement on IEC baffle

